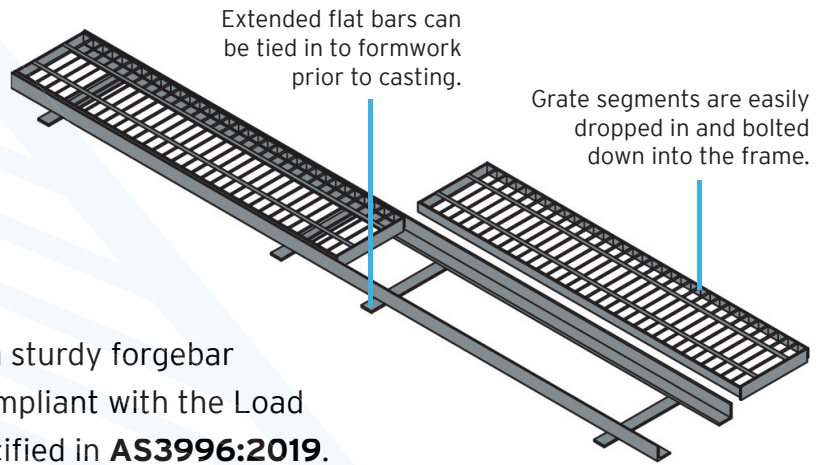


TRENCH GRATES

MODULAR STEEL GRATES FOR LINEAR GRATE APPLICATIONS

Trench Grates by SVC Civil provide a subtle solution for efficient stormwater collection, and are available with compatible frames in a range of standard sizes to suit most commercial applications.

Made from premium galvanised steel in a sturdy forgebar grating design, SVC trench grates are compliant with the Load Class ratings for Classes B and D, as specified in **AS3996:2019**.



SVC trench grates are equipped with a **boltdown facility** to securely fasten the grates into their frames, ensuring that grate modules do not rattle or move when encountering traffic. Bar gaps within the forgebar grate pattern have been specially designed for bicycle and pedestrian safety.

SVC TRENCH GRATE PRICELIST // 1 June 2020

PRODUCT CODE	PRODUCT DESCRIPTION	WEIGHT	PRICE
25.TGF15B2	TRENCH GRATE & FRAME 150 x 2000 CLASS B	44 kg	\$143.06
25.TGF15B3	TRENCH GRATE & FRAME 150 x 3000 CLASS B	65 kg	\$214.54
25.TGF15D2	TRENCH GRATE & FRAME 150 x 2000 CLASS D	54 kg	\$176.88
25.TGF15D3	TRENCH GRATE & FRAME 150 x 3000 CLASS D	77 kg	\$265.28
25.TGF24B2	TRENCH GRATE & FRAME 240 x 2000 CLASS B	33 kg	\$124.87
25.TGF24B3	TRENCH GRATE & FRAME 240 x 3000 CLASS B	49 kg	\$187.22
25.TGF24D2	TRENCH GRATE & FRAME 240 x 2000 CLASS D	78 kg	\$286.05
25.TGF24D3	TRENCH GRATE & FRAME 240 x 3000 CLASS D	117 kg	\$429.05
25.TGF30B2	TRENCH GRATE & FRAME 300 x 2000 CLASS B	52 kg	\$201.68
25.TGF30B3	TRENCH GRATE & FRAME 300 x 3000 CLASS B	78 kg	\$286.05
25.TGF30D2	TRENCH GRATE & FRAME 300 x 2000 CLASS D	109 kg	\$429.30
25.TGF30D3	TRENCH GRATE & FRAME 300 x 3000 CLASS D	164 kg	\$643.84

Ready to purchase? Email your enquiry to sales@svc.com.au or contact our Mordialloc or Thomastown branches using the phone numbers below.