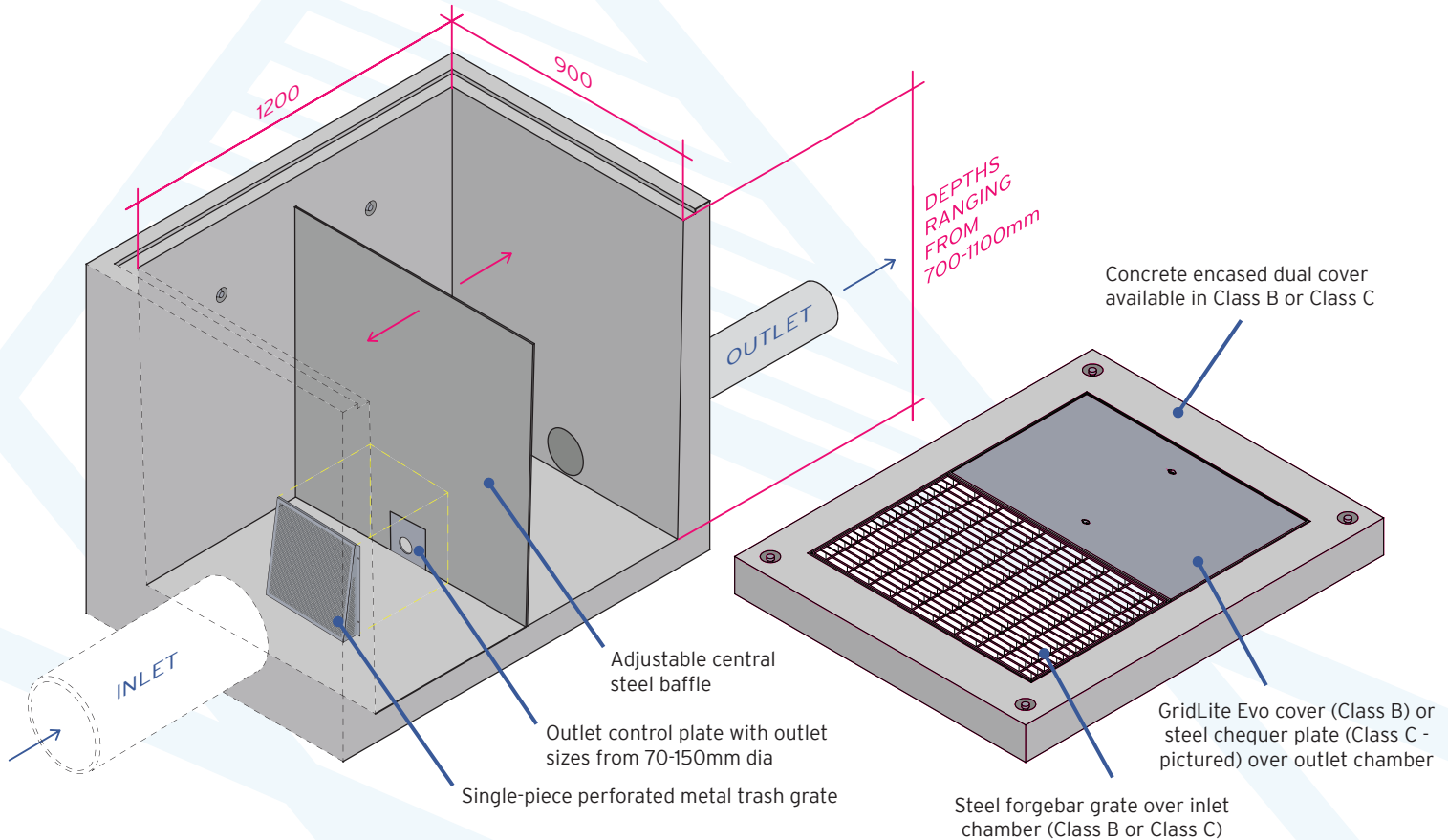


VARIABLE CONTROL PIT

AN ADJUSTABLE SOLUTION FOR ON-SITE STORMWATER DETENTION

SVC's dual-chamber **Variable Control Pit** provides engineers and developers a flexible and cost-effective method to control stormwater outflow from increased density developments.



KEY DESIGN FEATURES

Central galvanised steel baffle - the adjustable position of the central baffle allows engineers to set the inlet chamber capacity. The baffle can be fitted prior to delivery, saving time for the contractor. *The baffle will be fitted centrally unless otherwise instructed.*

Outlet control plate - further customisation is available by selecting from four outlet sizes ranging from 70mm to 150mm dia. *Outlet plates can be replaced for different sizes at a later time if desired.*

Perforated metal trash grate - the VCP includes a single-piece folded metal screen installed over the control plate in the inlet chamber, available in two sizes for filtration of small particles (8mm) or mid-sized debris (20mm). *Other aperture sizes are available upon request.*

Covers to suit Load Classes B and C - VCP covers are solid precast concrete with a 900x450 lift-out steel foragebar grate over the inlet chamber and either 900x600 GridLite Evo cover (Class B) or 900x600 chequer plate (Class C). *150mm thickness for Load Class B and 200mm thickness for Load Class C.*

TIME SAVINGS ✓ DESIGN FLEXIBILITY ✓ COST EFFICIENCY ✓ AUSTRALIAN-MADE ✓

VARIABLE CONTROL PIT

AN ADJUSTABLE SOLUTION FOR ON-SITE STORMWATER DETENTION

TIME SAVINGS ✓ DESIGN FLEXIBILITY ✓ COST EFFICIENCY ✓ AUSTRALIAN-MADE ✓

PRODUCT CUSTOMISATION OPTIONS

SVC Variable Control Pits need to be ordered as follows:

- 1 PIT SIZE (i.e. 22.304)**
 1200L x 900W (internal dimensions)
 Available in 5 different heights from 700-1100mm.
 Includes correct baffle plate to suit pit height.

- 2 COVER REQUIREMENTS (i.e. 22.317)**
Load Class B:
 Reinforced concrete encased* dual cover comprising 900x600 GridLite Evo lightweight cover & 900x450 steel forgebar grate
Load Class C:
 Reinforced concrete encased* dual cover comprising 900x600 chequer plate & 900x450 steel forgebar grate
*Raw covers are also available, and are best suited for areas where decorative or coloured concrete will be used.

- 3 OUTLET CONTROL PLATE (i.e. 22.305)**
 Four outlet sizes available:
 70mm dia / 90mm dia / 110mm dia / 150mm dia

- 4 TYPE OF DEBRIS SCREENING (i.e. 22.314)**
 Small particles (8mm) / Mid-sized particles (20mm)

- 5 SPECIFY BAFFLE POSITION**
 The adjustable baffle plate position controls the inlet chamber capacity, and is fitted prior to delivery.
 The baffle height is always 100mm shorter than the pit height.
 The baffle plate is included with the pit and does not need to be ordered separately.

- 6 SPECIFY HOLE SIZING & POSITIONS**
 Inlet and outlet coring included in VCP price - maximum hole diameter is 225mm.
 Additional hole coring is available upon request.

Please select one option per table.

CODE	DESCRIPTION	✓
22.300	VARIABLE CONTROL PIT 1200 X 900 X 700	
22.301	VARIABLE CONTROL PIT 1200 X 900 X 800	
22.302	VARIABLE CONTROL PIT 1200 X 900 X 900	
22.303	VARIABLE CONTROL PIT 1200 X 900 X 1000	
22.304	VARIABLE CONTROL PIT 1200 X 900 X 1100	

CODE	DESCRIPTION	✓
22.317	VCP DUAL ENCASED COVER GRIDLITE EVO & STEEL GRATE CLASS B	
22.318	VCP DUAL COVER (RAW) GRIDLITE EVO & STEEL GRATE CLASS B	
22.319	VCP DUAL ENCASED COVER CHEQUER PLATE & STEEL GRATE CLASS C	
22.320	VCP DUAL COVER (RAW) CHEQUER PLATE & STEEL GRATE CLASS C	

CODE	DESCRIPTION	✓
22.305	VCP OUTLET CONTROL PLATE - 70MM ORIFICE	
22.306	VCP OUTLET CONTROL PLATE - 90MM ORIFICE	
22.307	VCP OUTLET CONTROL PLATE - 110MM ORIFICE	
22.308	VCP OUTLET CONTROL PLATE - 150MM ORIFICE	

CODE	DESCRIPTION	✓
22.314	TRASH GRATE FINE PARTICLES 700X600 (ALUMINIUM)	
22.315	TRASH GRATE MEDIUM PARTICLES 480X500 (HOT DIP GALVANISED)	
22.316	TRASH GRATE MEDIUM PARTICLES 480X350 (HOT DIP GALVANISED)	

Baffle position: _____
(placed centrally by default)

Size of inlet hole: _____ mm dia

Size of outlet hole: _____ mm dia