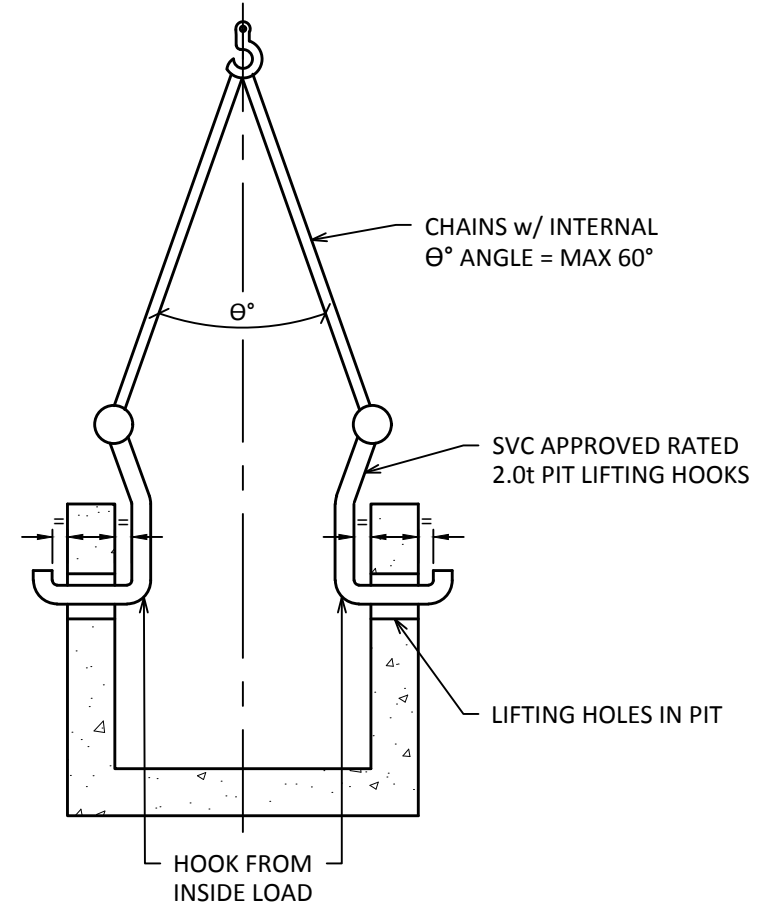
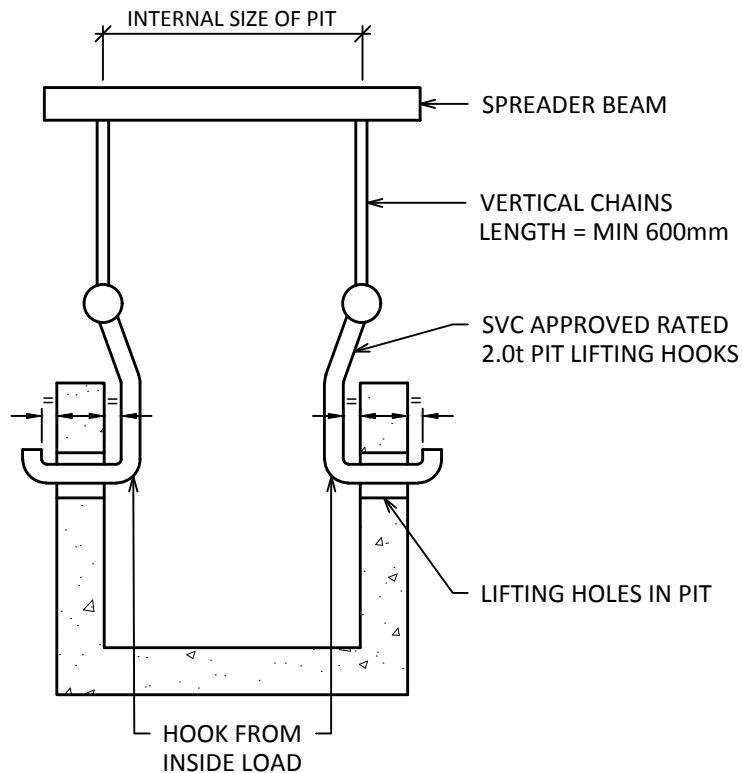


DESCRIPTION	PIT LIFTING DIAGRAM - PIT HOOKS
-------------	---------------------------------



NOTES:

1. BEAM & CHAINS TO BE CENTERED OVER LOAD, CHAINS TO BE SLIGHTLY TENSIONED & LIFTING EQUIPMENT TO BE CHECKED PRIOR TO RAISING.
2. ALL LIFTING EQUIPMENT MUST BE SUITABLY RATED.
3. IF VISIBLE DAMAGE IS OBSERVED AROUND LIFTING POINTS, PIT MUST **NOT** BE LIFTED.